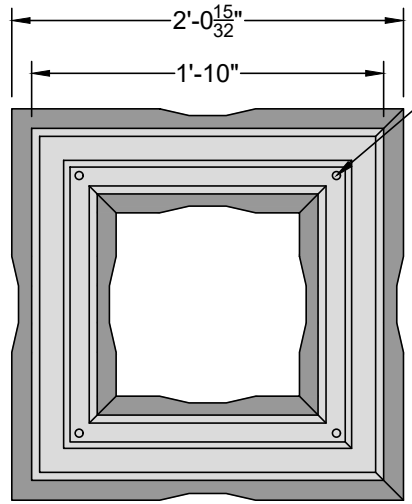


ITEM:	QUANTITY:	SPECIFICATION:
CONCRETE	0.17 CUBIC YARDS	MIN. 4,000 PSI @ 28 DAYS
ADAPTOR PLATE	1	COMPOSITE MATERIAL, ANSI TIER 15 RATED, SLIP RESISTANT SURFACE
EMBEDDED ANCHORS	4	½" x 2 ½" PLASTIC NC THREADED INSERT
SECURING SCREWS	4	½"-13 x 3" STAINLESS STEEL, TAMPER RESISTANT, BUTTON HEAD



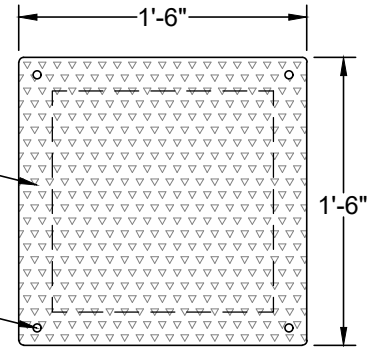
**PRODUCT TOP VIEW**

1" = 1'-0"

EMBEDDED ANCHOR POINT (4 THUS)

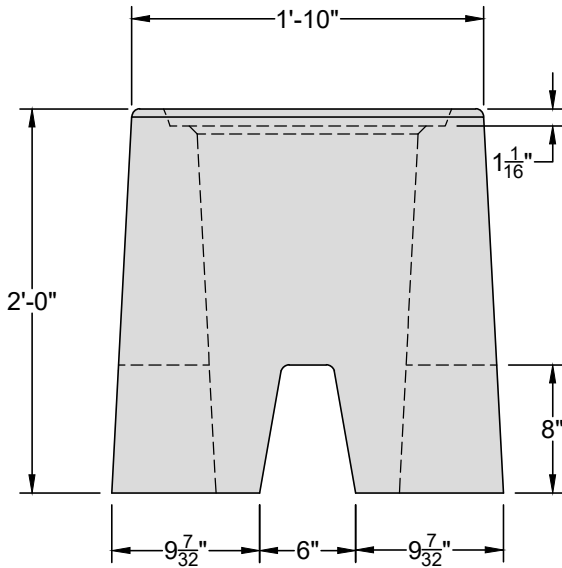
APPROX. BOLTING AREA = 13" x 13"

SECURING SCREW LOCATION (4 THUS)



**ADAPTOR PLATE DETAIL**

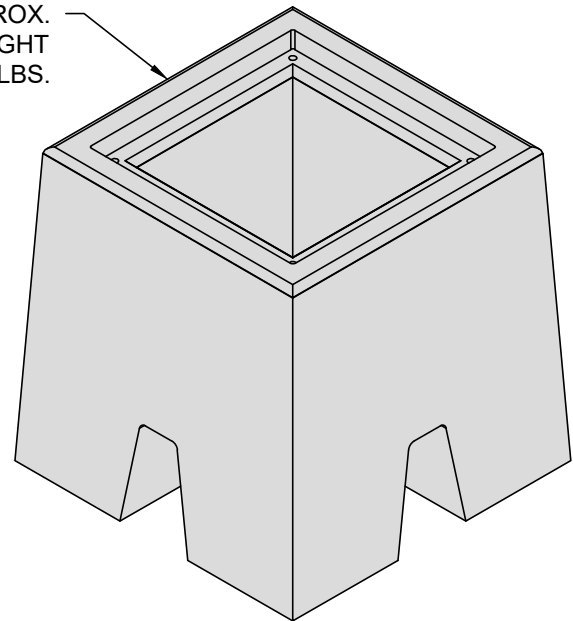
1" = 1'-0"



**PRODUCT SIDE VIEW**

1" = 1'-0"

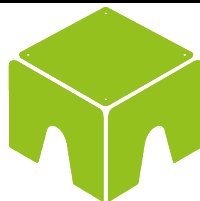
APPROX. WEIGHT 650 LBS.



**PRODUCT ISO VIEW**

NTS

Disclaimer: This drawing has been prepared by EV Blocks, Ltd. and to the best of its knowledge, accurately represents the product use in the application that it is illustrated. Anyone making use of this drawing does so at their own risk and assumes all liability for such use. Final design for construction purposes must be completed by a Registered Professional Engineer who is familiar with the product and who has taken into account specific site conditions.



**EV BLOCKS.COM**

**STANDARD  
EV BLOCK**

EV BLOCKS - NORTH AMERICA

612.474.0089

evblocks.com/us

© Copyright 2023 EV Blocks, Ltd. All Rights Reserved